

OPULENCE "His" 23 In ABOVE COUNTER BASIN

Cat. No
4-372. 373



Faucet not included

W: 22-7/8"
D: 18-1/2"
H: 4-3/4"

Features:

- ▶ Fine fire clay construction
- ▶ Transitional style
- ▶ Rectangular basin
- ▶ Available pre-drilled for 1-hole faucet(372) or 8" widespread (373)

Colors:

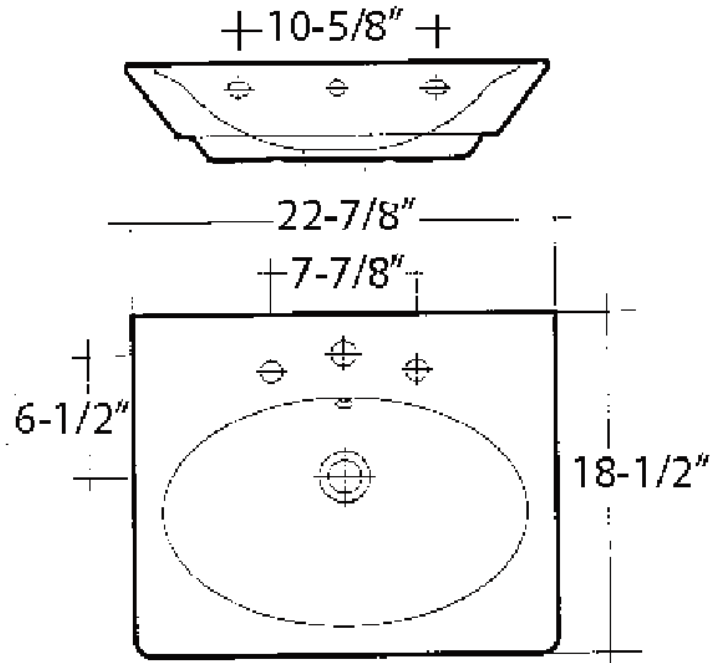
WH White

Compliance Certification

Meets or exceeds the following specifications: ASME A112.19.1 2008 AND CSA B45.2-08 for Vitreous China fixtures.

Interior Dimensions:

Basin Interior:	18-1/2" x 12"
Basin Depth:	4-1/2"
Back of basin to center of faucet:	2-3/8"
Back of basin to center of drain:	9"
Depth to overflow:	3"
Mount holes cc:	10-5/8"
Faucet and spout holes:	1 1/4"



Dimensions of fixture are nominal and may vary within the range of tolerances established by ASME Standard A112.19.2. Dimensions and specifications subject to change without notice.